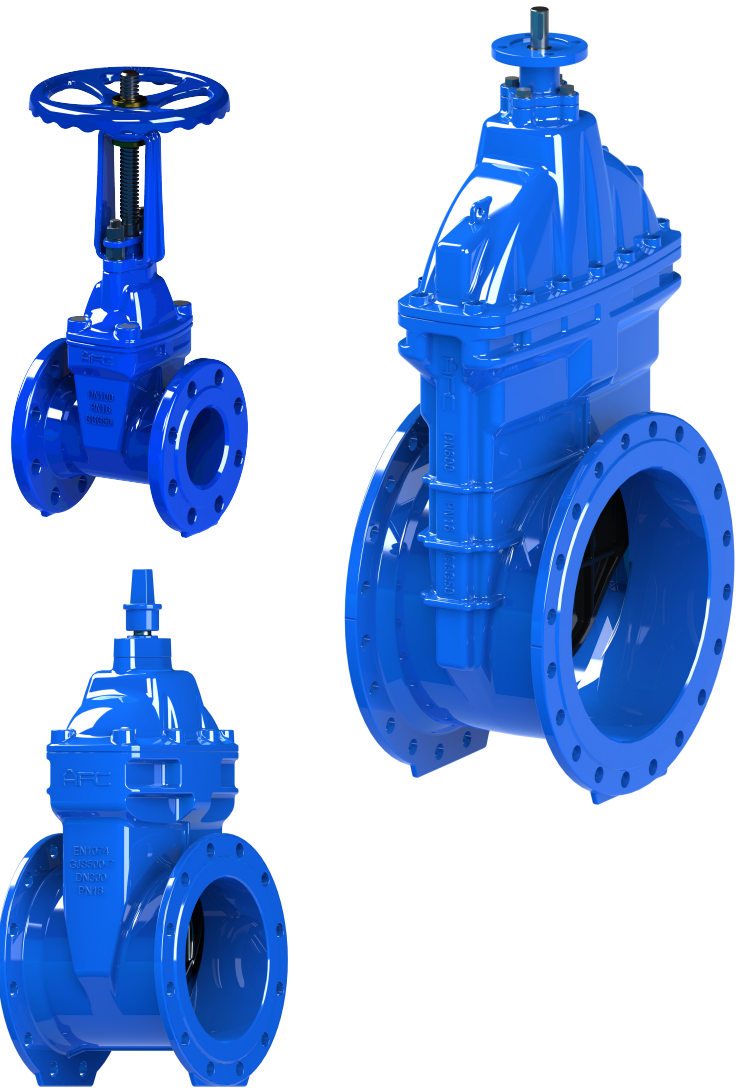


## Resilient Seated Gate Valves

**G**V-Resilient seated gate valve is a soft seal disc which is fully encapsulated with rubber. The valve is designed with new technology for light operating, no clogging and no corrosion, good resilient memory & long service life. It can be used extensively in all kinds of water supply & sewage, fire-fighting and function as a shut-off or regulating valve.

### Features:

- Newly advanced design, less operation torque & abrasion resistance.
- Body & Cover are made of high grade Ductile Iron.
- Disc is designed with an abrasion resistant nylon guide which can help less opening or closing torque and smooth during operation.
- Forged stem provide stronger stem operation and less moving parts.
- Disc is covered by high-grade rubber which complies with drinking water.
- High-tech rubber curing with precise geometry dimensions, more resilient & strong adhesive to ductile casting.
- The 3 O-ring stem seals are designed to prevent stem leakage. and provide replacement of the O-ring without disassembling of valve from mainline pipes.
- Both inside & outside are coated with epoxy resin powder.
- Manufacturing standard meets BS EN 1074, BS 5163, BS EN 1171.
- F/F (Face to Face) meets the following standard: BS EN558-1.



### Field services:

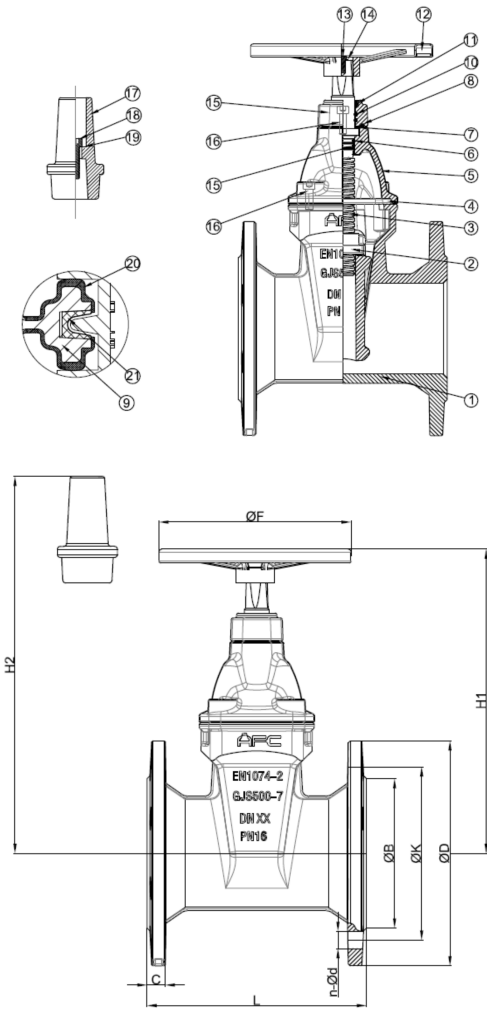
Water supply, sewage, fire fighting, irrigation, water circulation, heat, cooling system.

### Technical Data:

Size Range: DN50~DN900mm  
Pressure Rating: 1.0Mpa; 1.6Mpa  
Working Temperature: -10°C- 80°C  
Flow Media: Water, Sewage  
End Connection: PN 10/ 16

## Part List

### Non-Rising Stem



No	Parts Names	Material	Standard
1	Body	Ductile Iron	EN GJS 500-7
2	Wedge Nut	Forged Brass/Bronze	CZ122 / CA103
3	Stem	Stainless Steel	AISI 420 / AISI 431
4	Gasket	Rubber	EPDM
5	Bonnet	Ductile Iron	EN GJS 500-7
6	O-ring	Rubber	EPDM
7	Washer	Brass	CZ 122
8	O-ring	Rubber	EPDM
9	Wedge	Ductile Iron	EN GJS 500-7
10	O-ring	Rubber	EPDM
11	Dust Wiper	Rubber	NBR
12	Handwheel	CS	Commercial
13	Hex Bolt	CS	Commercial
14	Washer	CS	Commercial
15	Gland	Ductile Iron	EN GJS 500-7
16	In Hex Bolt	CS	Commercial
17	Cap	Ductile Iron	EN GJS 500-7
18	In Hex Bolt	CS	Commercial
19	Washer	CS	Commercial
20	Wedge Lining	Rubber	EPDM
21	Guide	Plastic	Nylon 66

Confirms to BS 5163; BS EN 1074; BS 1171.

Flanges comply with EN 1092-2

250 um powder epoxy coating thickness

Tests:

Hydraulic test to BS / EN

Seat :1.1 x PN      Body: 1.5 x PN

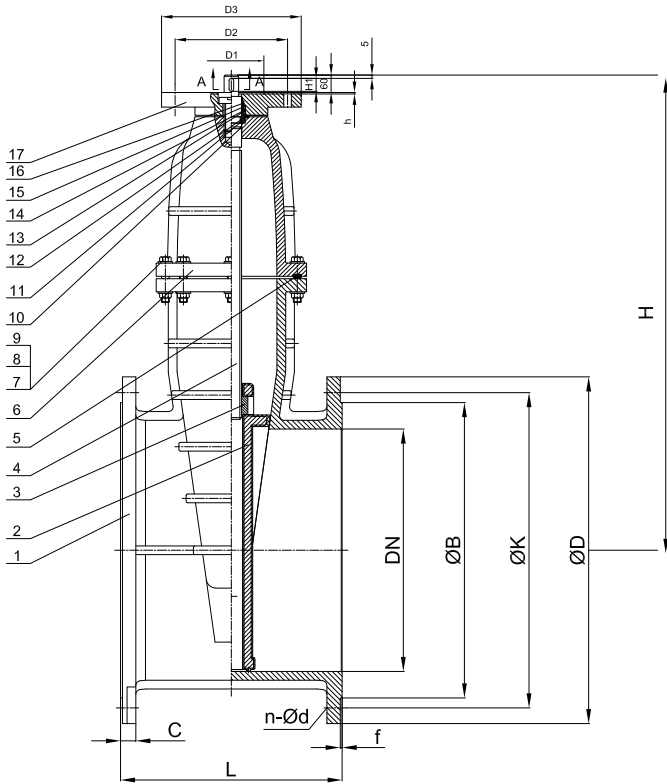
### Dimension:

DN	Model No	L			H1	H2	ØB	ØD		ØK		N- Ød		c	ØF
		BS	F4	F5				PN10	PN16	PN10	PN16	PN10	PN16		
50	GBCX-0050	178	150	250	240	255	99	165	125	4-Ø19		18	180		
65	GBCX-0065	190	170	270	258	280	118	185	145	4-Ø19		18	180		
80	GBCX-0080	203	180	280	293	311	132	200	160	8-Ø19		18	180		
100	GBCX-0100	229	190	300	326	340	156	220	180	8-Ø19		18	200		
125	GBCX-0125	254	200	325	377	386	184	250	210	8-Ø19		18	250		
150	GBCX-0150	267	210	350	414	430	211	285	240	8-Ø23		18	250		
200	GBCX-0200	292	230	400	510	550	266	340	295	8-Ø23	12-Ø23	18	300		
250	GBCX-0250	330	250	450	585	625	319	395	405	350	355	12-Ø23	12-Ø28	19	350
300	GBCX-0300	356	270	500	663	703	370	445	460	400	410	12-Ø23	12-Ø28	21	350
350	GBCX-0350	381	290	550	890	955	429	505	520	460	470	16-Ø23	16-Ø28	26.5	450
400	GBCX-0400	406	310	600	970	1040	480	565	580	515	525	16-Ø26	16-Ø31	28	450
450	GBCX-0450	432	330	650	1025	1105	520	615	640	565	585	20-Ø26	20-Ø31	30	450
500	GBCX-0500	457	350	700	1153	1235	609	670	715	620	650	20-Ø26	16-Ø34	31.5	450
600	GBCX-0600	508	390	800	1310	1395	720	780	840	725	770	20-Ø30	20-Ø37	36	450
700	GBCX-0700	610			1630			928	928	840	840	24-Ø31	24-Ø37	39.5	210

## Bare-shaft

### Part List

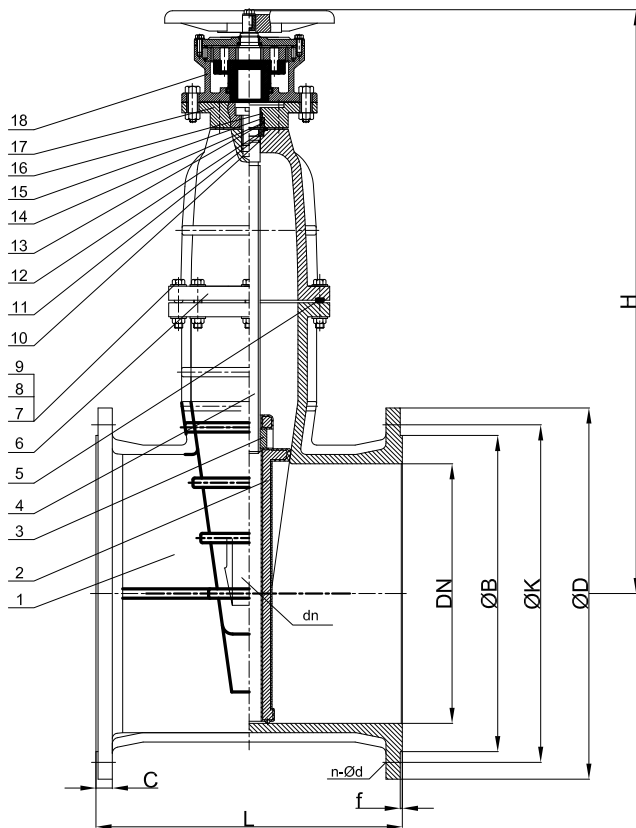
No	Parts Names	Material	Standard
1	Body	Ductile Iron	EN GJS 500-7
2	Wedge	Ductile Iron+Rubber	EN GJS 500-7 + EPDM
3	Stem nut	Brass	CZ122
4	Stem	SS420	420 / AISI
5	Gasket	Rubber	EPDM
6	Bonnet	Ductile Iron	EN GJS 500-7
7	Bolt	Carbon Steel	Commercial
8	Washer	Carbon Steel	Commercial
9	Nut	Carbon Steel	Commercial
10	O-ring	Rubber	NBR
11	O-ring	Rubber	NBR
12	Mini-pad	TFL	Commercial
13	O-ring	Rubber	NBR
14	O-ring	Rubber	NBR
15	Seal Ring	Brass	CZ122
16	Dust Ring	Rubber	NBR
17	Gland	Ductile Iron	EN GJS 500-7



### Dimension:

DN	Model No	L	H	ØD	ØK	C	ØB	N- Ød	Unit: mm
700	GBBX-0700	610	1340	910	840	39.5	794	24-Ø37	
800	GBBX-0800	660	1515	1025	950	43	901	24Ø40	
900	GBBX-0900	711	1875	1125	1050	46.5	1001	28-Ø40	

## DN700-900 with Gear Box



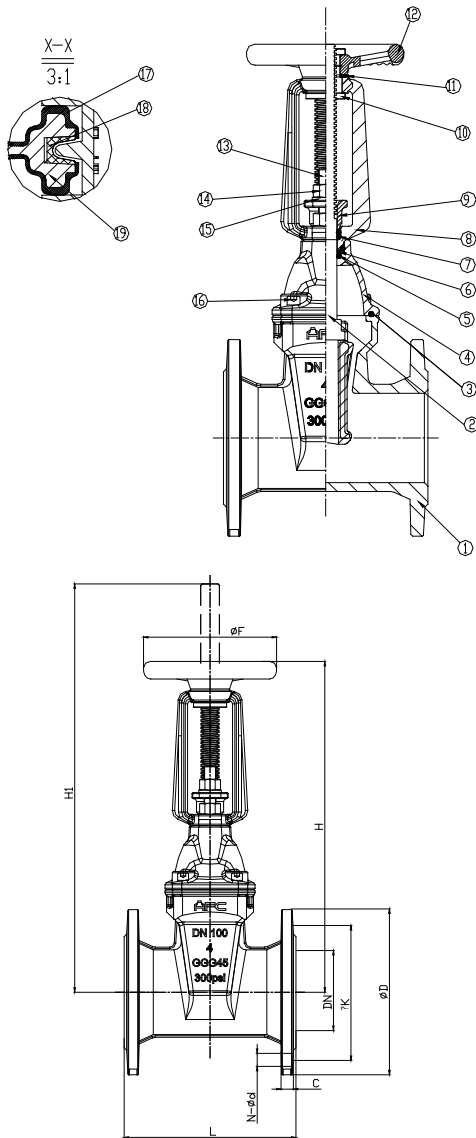
### Part List

No	Parts Names	Material	Standard
1	Body	Ductile Iron	EN GJS 500-7
2	Wedge	Ductile Iron+Rubber	EN GJS 500-7 + EPDM
3	Stem nut	Brass	CZ122
4	Stem	SS420	420 / AISI
5	Gasket	Rubber	EPDM
6	Bonnet	Ductile Iron	EN GJS 500-7
7	Bolt	Carbon Steel	Commercial
8	Washer	Carbon Steel	Commercial
9	Nut	Carbon Steel	Commercial
10	O-ring	Rubber	NBR
11	O-ring	Rubber	NBR
12	Mini-pad	TFL	Commercial
13	O-ring	Rubber	NBR
14	O-ring	Rubber	NBR
15	Seal Ring	Brass	CZ122
16	Dust Ring	Rubber	NBR
17	Gland	Ductile Iron	EN GJS 500-7
18	Gear Box	Ductile Iron	Commercial

### Dimension:

DN	Model No	L	H	ØD	ØK	C	ØB	N-Ød	Unit: mm
700	GBGX-0700	610	1630	910	840	39.5	794	24-Ø37	
800	GBGX-0800	660	1805	1025	950	43	901	24Ø40	
900	GBGX-0900	711	1910	1125	1050	46.5	1001	28-Ø40	

## Rising Stem



## Part List

No	Parts Names	Material	Standard
1	Body	Ductile Iron	EN GJS 500-7
2	Stem	Stainless Steel	AISI 420 / AISI 431
3	Gasket	Rubber	NBR
4	Bonnet	Ductile Iron	EN GJS 500-7
5	O-ring	Rubber	NBR
6	Washer	Brass	CZ 122
7	O-ring	Rubber	NBR
8	Yoke	Ductile Iron	EN GJS 500-7
9	Plate	Ductile Iron	EN GJS 500-7
10	Thrust Nut	Forged Brass	CZ122
11	Washer	Forged Brass	CZ122
12	Handwheel	CS	Commercial
13	Thread Bar	CS	Commercial
14	Nut	CS Zinc Plated	Commercial
15	Washer	CS	Commercial
16	In Hex Bolt	CS	Commercial
17	Wedge Lining	Rubber	EPDM
18	Guide	Plastic	Nylon 66
19	Wedge	Ductile Iron	EN GJS 500-7

### Tests:

Hydraulic test to BS / EN

Seat :1.1 x PN

Body: 1.5 x PN

### Dimension:

Unit: mm

DN	Model No	L			H	H1	ØD		ØK		n- Ød		c	ØF
		BS	F4	F5			PN10	PN16	PN10	PN16	PN10	PN16		
50	RBHX-0050	178	150	250	312	382	165	125	4-Ø19	18	200			
65	RBHX-0065	190	170	270	338	408	185	145	4-Ø19	18	200			
80	RBHX-0080	203	180	280	393	480	200	160	8-Ø19	18	250			
100	RBHX-0100	229	190	300	441	544	220	180	8-Ø19	18	250			
125	RBHX-0125	254	200	325	559	692	250	210	8-Ø19	18	280			
150	RBHX-0150	267	210	350	598	759	285	240	8-Ø23	18	280			
200	RBHX-0200	292	230	400	743	953	340	295	8-Ø23 12-Ø23	18	350			
250	RBHX-0250	330	250	450	880	1140	395	405	350 355	12-Ø23	12-Ø28	19	350	
300	RBHX-0300	356	270	500	1009	1319	445	460	400 410	12-Ø23	12-Ø28	21	350	

## Ordering Code

GB H X - 0200 -16 - XXX

### Model:

G4: Non-Rising Stem Gate Valve F4 Type  
G5: Non-Rising Stem Gate Valve F5 Type  
GA: Non-Rising Stem Gate Valve AWWA Type  
GB: Non-Rising Stem Gate Valve BS Type  
R4: Rising-Stem Gate Valve F4 Type  
R5: Rising-Stem Gate Valve F5 Type  
RA: Rising-Stem Gate Valve AWWA Type  
RB: Rising-Stem Gate Valve BS Type

### Operator:

H: Handwheel  
C: Cap  
B: Bare  
E: Electrical/Bare  
I: With Mechanical Indicator For Non-Rising Stem Type, W/HW  
S: With Mechanical Indicator And Wiring Signal For Non-Rising Stem Type

### Bonnet Type:

X: A Type With Gland.  
T: T Type W/o Gland.

### Trim Code:

Please consult factory  
For Different colour and other materials.

### End Connection:

10: PN10  
16: PN16  
1K: JIS 10K  
A1: ANSI 125 F/F  
A5: ANSI 150 R/F

### Valve Size:

0080: 80 mm  
0200: 200 mm

TEL: +603 51672818,  
FAX: +603 51672817

AFC Valves Malaysia Sdn Bhd  
Add:NO. 6, JALAN SUNGAI JELUH 32/189,  
BUKIT NAGA INDUSTRIAL PARK,  
SEKSYEN 32, 40460,  
SELANGOR D. E. MALAYSIA.

